

Racores DIN 2353

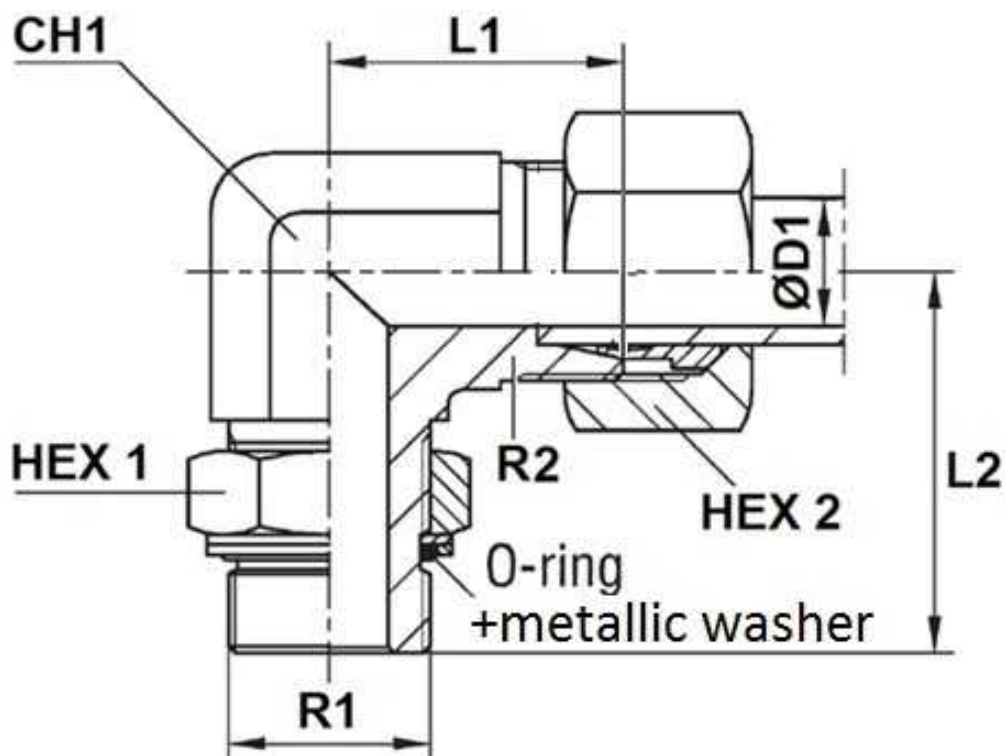
Codos tubo-rosca

Racor en codo orientable BSP



Acero Inoxidable AISI 316-L

1/1



Artículo	ØD1	Serie	R1	L1	L2	HEX 1	HEX 2	CH1
Z WEE 6L R 1/8	6	L	1/8" BSP	20	26	14	14	14
Z WEE 8L R 1/4	8	L	1/4" BSP	22.5	32	19	17	14
Z WEE 10L R 1/4	10	L	1/4" BSP	24.5	33	19	19	19
Z WEE 12L R 3/8	12	L	3/8" BSP	26	37	22	22	19
Z WEE 15L R 1/2	15	L	1/2" BSP	29	44	27	27	22
Z WEE 18L R 1/2	18	L	1/2" BSP	33	47	27	32	27
Z WEE 22L R 3/4	22	L	3/4" BSP	36.5	52	30	36	36
Z WEE 16S R 1/2	16	S	1/2" BSP	33	47	27	30	27
Z WEE 20S R 3/4	20	S	3/4" BSP	38	51	36	36	30
Z WEE 25S R 1	25	S	1" BSP	44	55	41	46	36